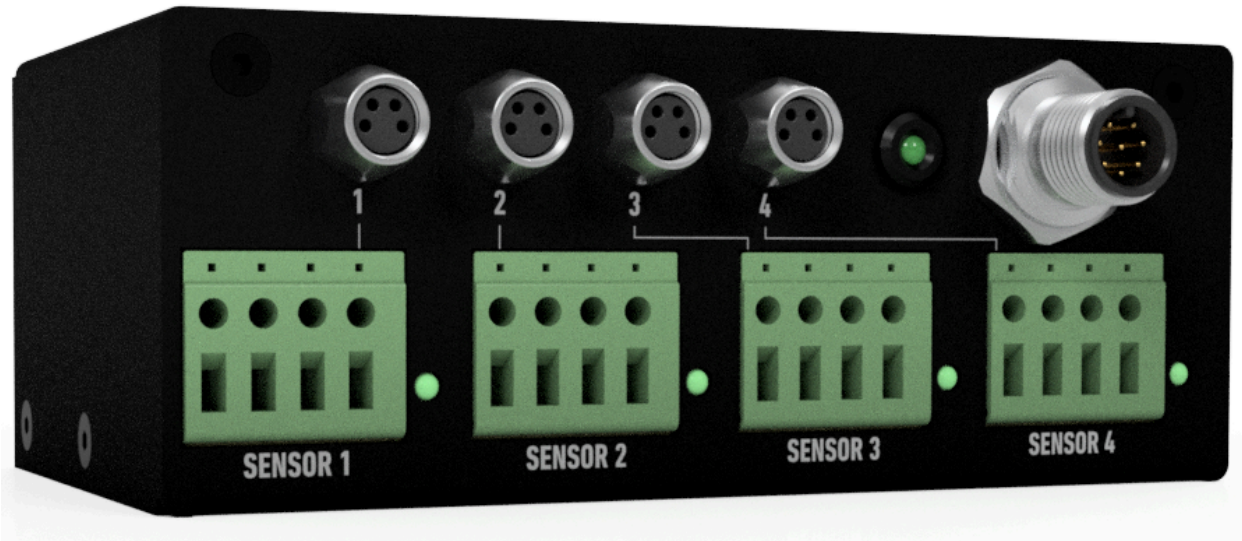


OEM SENSOR HUB DATASHEET



Elveflow OEM range sensor reader module, 4 channels.

Table of content

General specifications.....	3
Electrical Specifications.....	3
Communication specifications.....	4
Control and monitoring.....	4
Dimensional drawing.....	5
Connections.....	5
Assembly recommandations.....	6

General specifications

Dimensions (mm)	124 x 49 x 70 mm
Weight (g)	250 g
OEM Control Center connection	M12 8 pins, (shielded cable 25 cm recommended)
Sensor communication	I2C, Analog
Sensor connection	M8 4 pins (shielded cable 1 m recommended), or Terminal block (4 wires)
Sensor compatibility	Elveflow sensors (MFS, MPS, bubble detector and MFP) Analog sensors with 0/10V input signal and with up to 24V supply
Number of sensor connections	4
Casing material	Aluminium
Mounting orientation	Any

Electrical Specifications

Acquisition frequency	200Hz
Acquisition resolution (analog)	16 bits
Input range (analog)	0 - 10V
Resolution	5 mV
Sensor supply voltage (analog)	5 to 24V
Maximum power consumption (W)	4W
Maximum power / channel (W)	0.9W

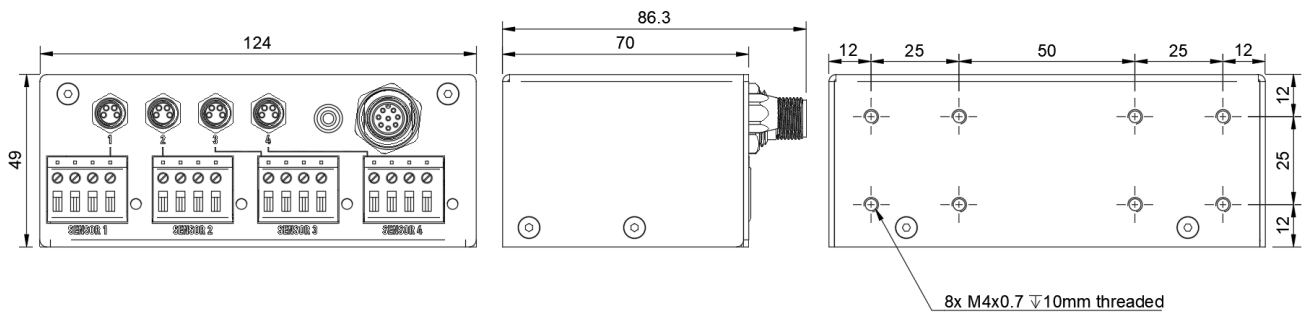
Communication specifications

Interface	M12 8 pins
Communication type	Universal Asynchronous Receiver-Transmitter (UART)
Serial communication speed	230400 bauds

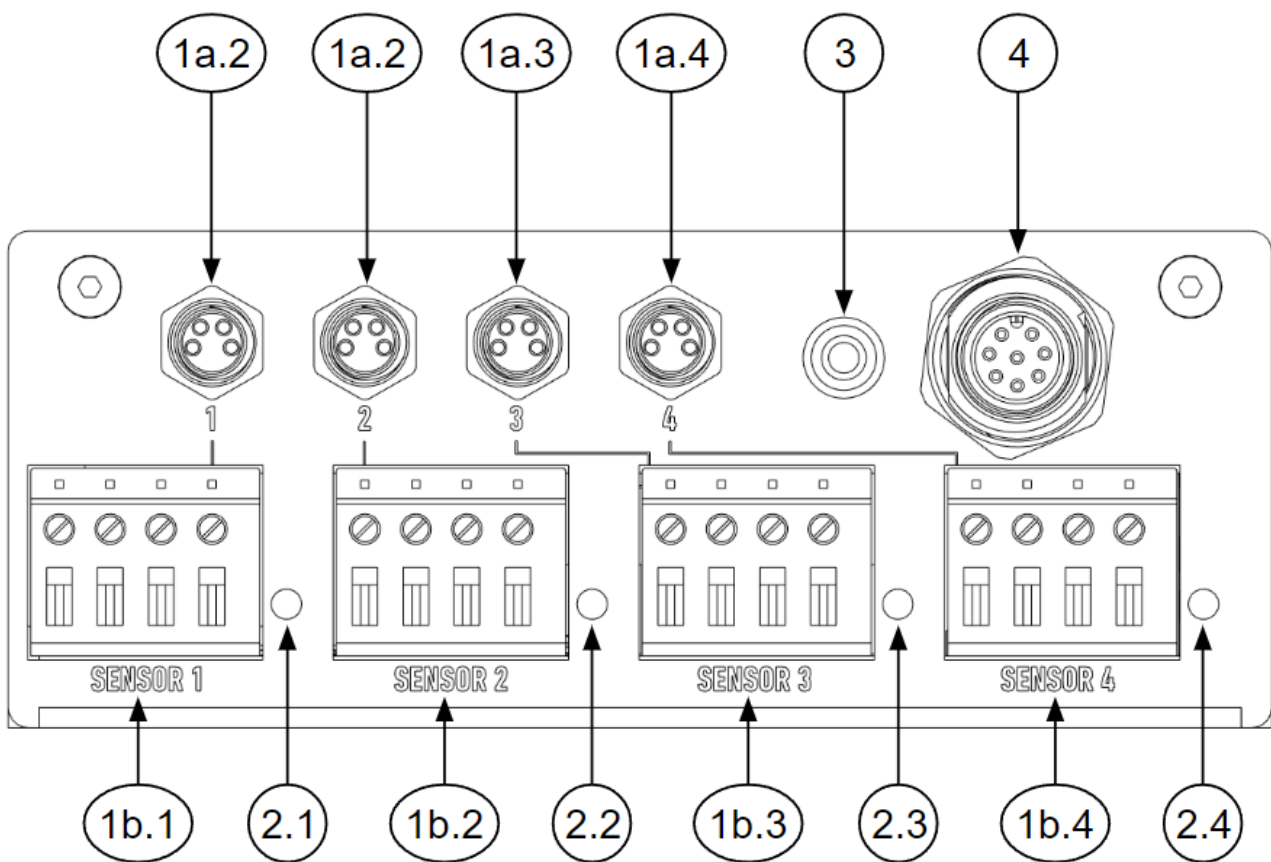
Control and monitoring

UART commands	Sensor configuration & monitoring
Software control	ESI via a OEM Control Center only

Dimensional drawing



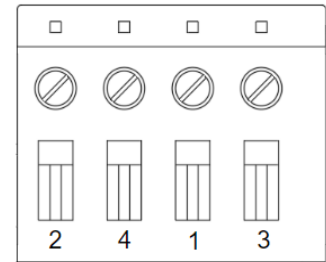
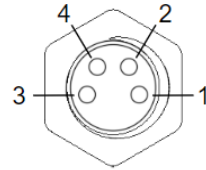
Connections



1.x	Sensor connection, channel #x	1a : M8 female 4 pins
		1b : Terminal block 4 pins
2.x	Sensor LED, channel #x	Green LED - ON when sensor connected
3	Communication LED	Green LED - ON when communicating
4	Connection to OEM Control Center (or OEM Hub)	M12 male - 8 pins

Sensor wiring

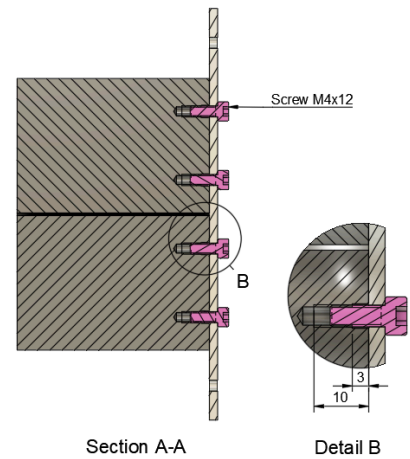
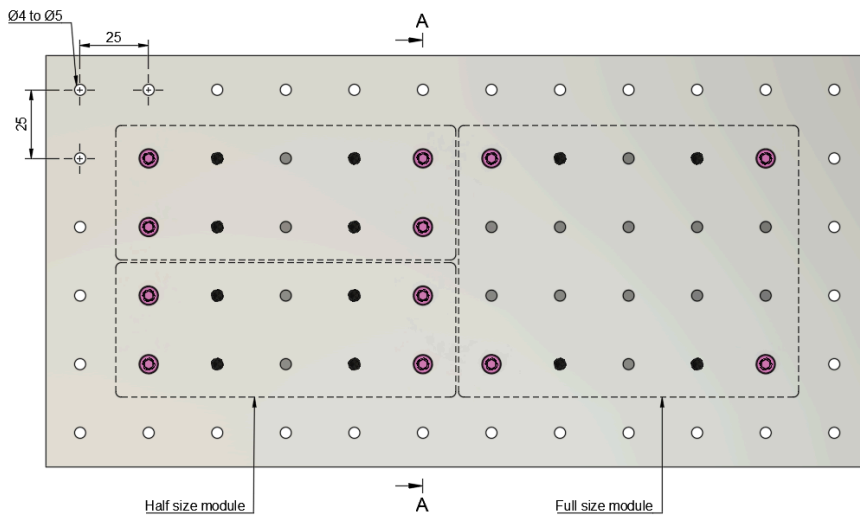
1	Vcc 5-24V (power supply)
2	SLC (clock line for I2C)
3	Ground
4	Data line (Analog signal / SDA for I2C)



Assembly recommendations

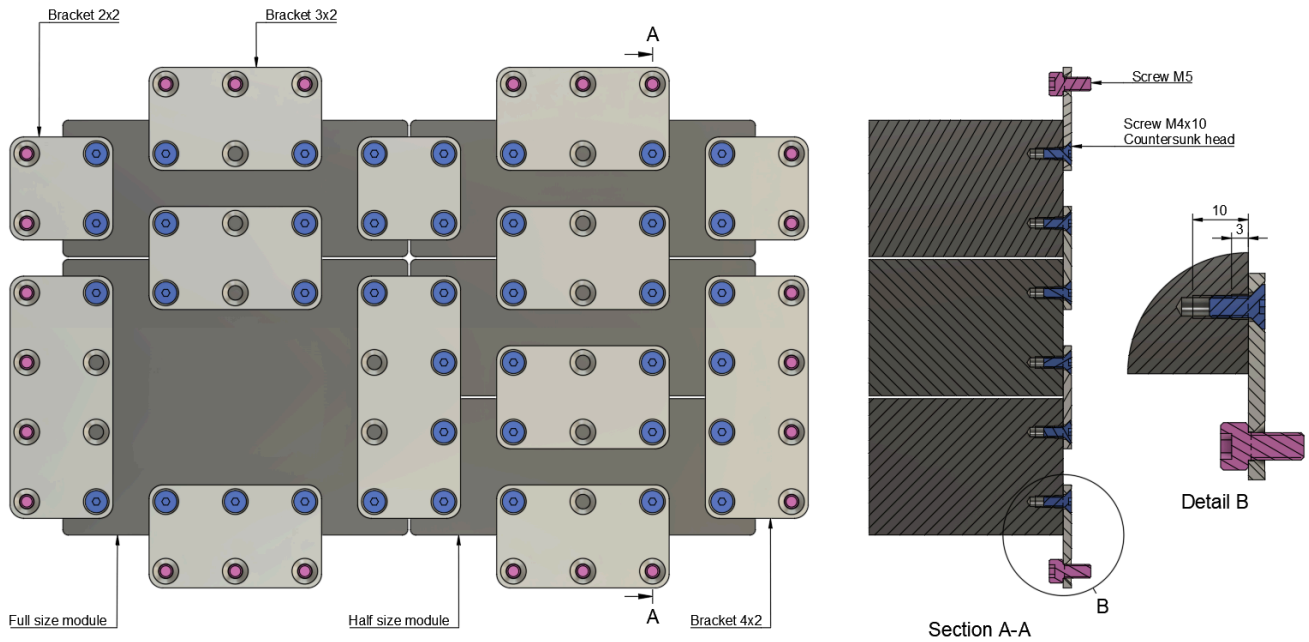
The module can be used in any orientation.

Assembly on standard perforated sheet metal



Assembly with brackets

Brackets are Elveflow custom parts that can be purchased with an OEM system to assemble the modules together.



Brackets Dimensional Drawing

