

OEM ROTA VALVE DATASHEET (RECIRCULATION)



Elveflow OEM range 6 ports / 2 positions recirculation valve module.

Table of content

| | |
|-----------------------------------|---|
| General specifications..... | 3 |
| Electrical Specifications..... | 3 |
| Communication specifications..... | 4 |
| Control and monitoring..... | 4 |
| Dimensional drawing..... | 5 |
| Connections..... | 5 |

General specifications

| | |
|----------------------------------|---|
| Dimensions (mm) | 99 x 99 x 102 mm |
| Weight (g) | 780 g |
| Control Center connection | M12 8 pins, (shielded cable 25 cm recommended) |
| Power connection | DC power connector, Plug, 3A, 2.1mm, 12mm |
| Valve type | 6 ports / 2 positions |
| Maximum supported pressure (bar) | 7 bar |
| Fluidic connectors | Standard 1/4-28 UNF, flat-bottom |
| Wetted materials | PCTFE and PTFE |
| Dead volume (1) | None |
| Internal diameter (mm) | 0.5 mm |
| Mounting orientation | Any |

(1) Volume that is stuck in the system (dead end), which is not clearly swept and relies on diffusion to clear out

Electrical Specifications

| | |
|-------------------------------|------------------------------|
| Input voltage (V) | 24V |
| Maximum power consumption (W) | 45W |
| Typical power (W) | 3 W, 12 W in rotation |

Provided power supply specifications

| | |
|-------------------------------------|-----------------------|
| Supply - Voltage range (V) | 100 to 240 VAC |
| Supply - AC frequency (Hz) | 50 to 60 Hz |
| Output - Maximum current output (A) | 2.5A Peak |
| Output - Maximum power (W) | 60W |

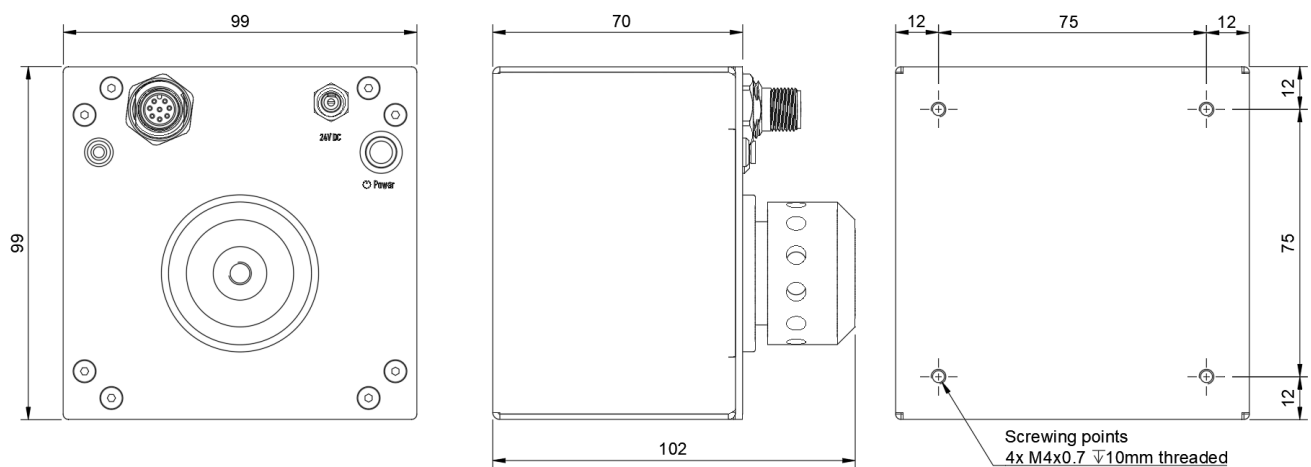
Communication specifications

| | |
|---------------------------------|---|
| Interface | M12 8 pins |
| Communication type | Universal Asynchronous Receiver-Transmitter (UART) |
| Serial communication parameters | 230400 bauds |

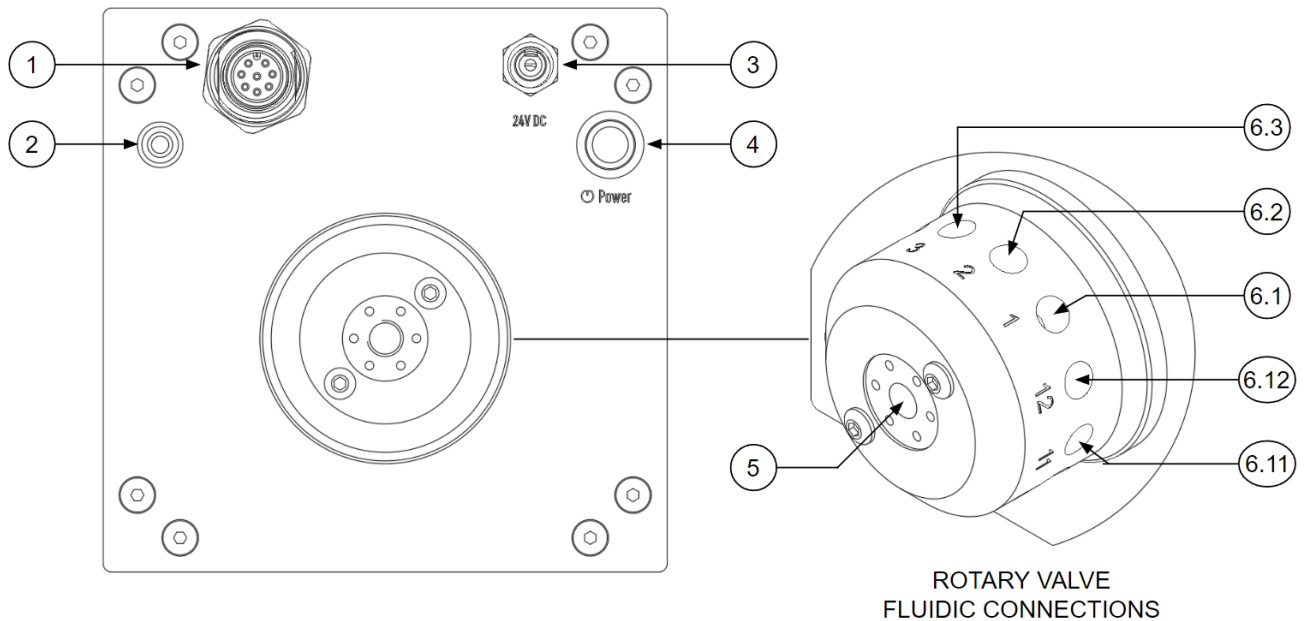
Control and monitoring

| | |
|------------------|--|
| UART commands | Valve position & monitoring |
| Software control | ESI via a OEM Control Center only |

Dimensional drawing



Connections



| | | |
|-----|---|---|
| 1 | Connection to OEM Control Center (or OEM Hub) | M12 male - 8 pins |
| 2 | Communication LED | Green LED - ON when communicating |
| 3 | Power button with LED | Green LED - ON when device powered |
| 4 | Power supply | Jack 24V DC - 40W |
| 5 | Main fluidic port, connected to 1 among 12 | 1/4-28 UNF Flat bottom |
| 6.x | 12 fluidic ports | 1/4-28 UNF Flat bottom |

Assembly recommendations

Use the four M4 screwing points (see dimensional drawing).

The module can be used in any orientation.