

OEM VALVE HUB DATASHEET



Elveflow OEM range valves controller module, with 16 ports and a 12V/24V switch.

Table of content

General specifications.....	3
Electrical Specifications.....	3
Communication specifications.....	4
Control and monitoring.....	4
Dimensional drawing.....	5
Connections.....	5
Assembly recommendations.....	6

General specifications

Dimensions (mm)	124 x 99 x 70 mm
Weight (g)	470 g
OEM Control Center connection	M12 8 pins, (shielded cable 25 cm recommended)
Power connection	DC power connector, Plug, 3A, 2.1mm, 12mm
Number of controlled valves	16
Type of valves	2 wires 24 or 12V (switchable by line of 8 valves)
Valves connection type	Terminal block (2 wires)
Casing material	Aluminium
Mounting orientation	Any

Electrical Specifications

Input voltage (V)	24V
Maximum power consumption (W)	40W
Maximum current consumption (A)	1.67A Peak
Maximum current / valve channel (A)	0.2A
Maximum valve power / valve channel (W)	4.8W for 24V 2.4W for 12V

Provided power supply specifications

Supply - Voltage range (V)	100 to 240 VAC
Supply - AC frequency (Hz)	50 to 60 Hz

Output - Maximum current output (A)	1.67A Peak
Output - Maximum power (W)	40W

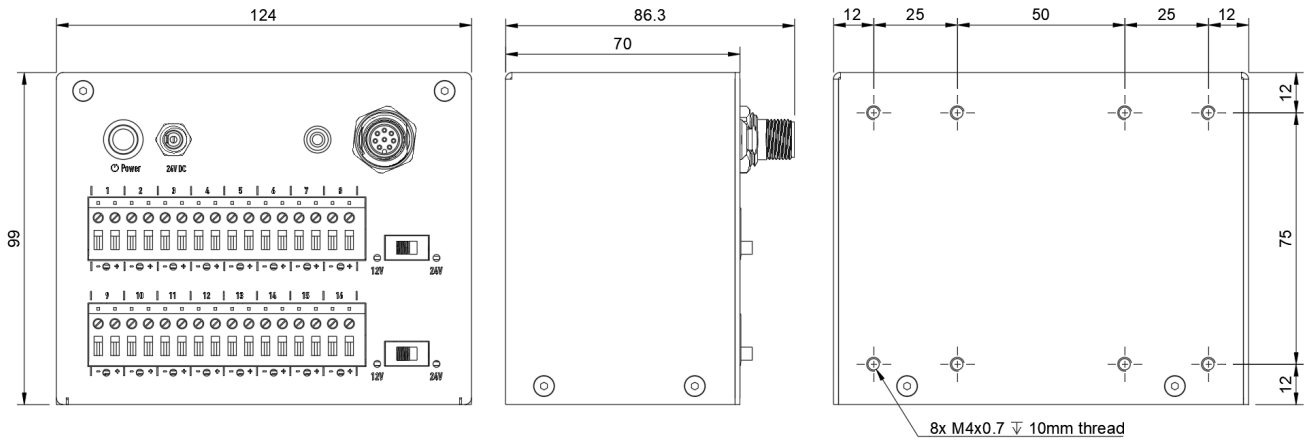
Communication specifications

Interface	M12 8 pins
Communication type	Universal Asynchronous Receiver-Transmitter (UART)
Serial communication speed	230400 bauds

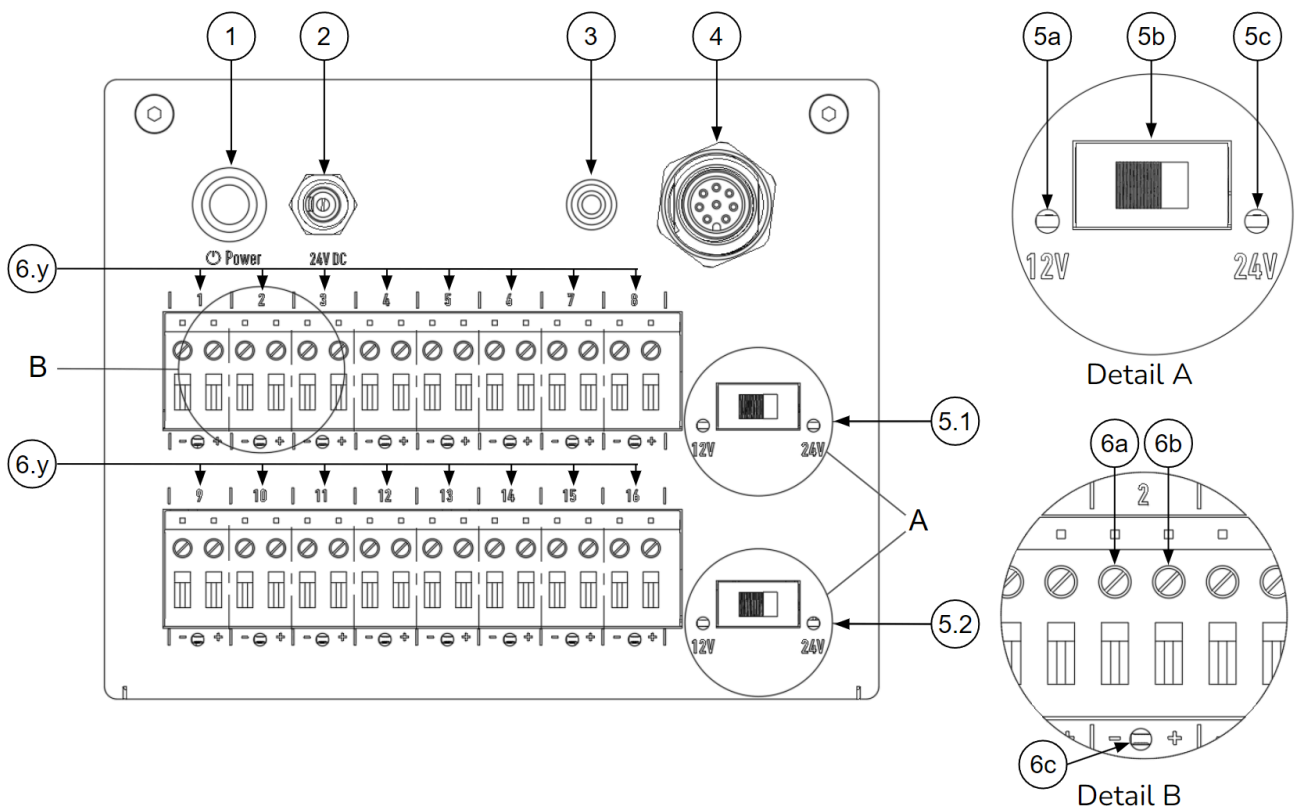
Control and monitoring

UART commands	Individual valve control and full register control
Software control	ESI via a OEM Control Center only

Dimensional drawing



Connections

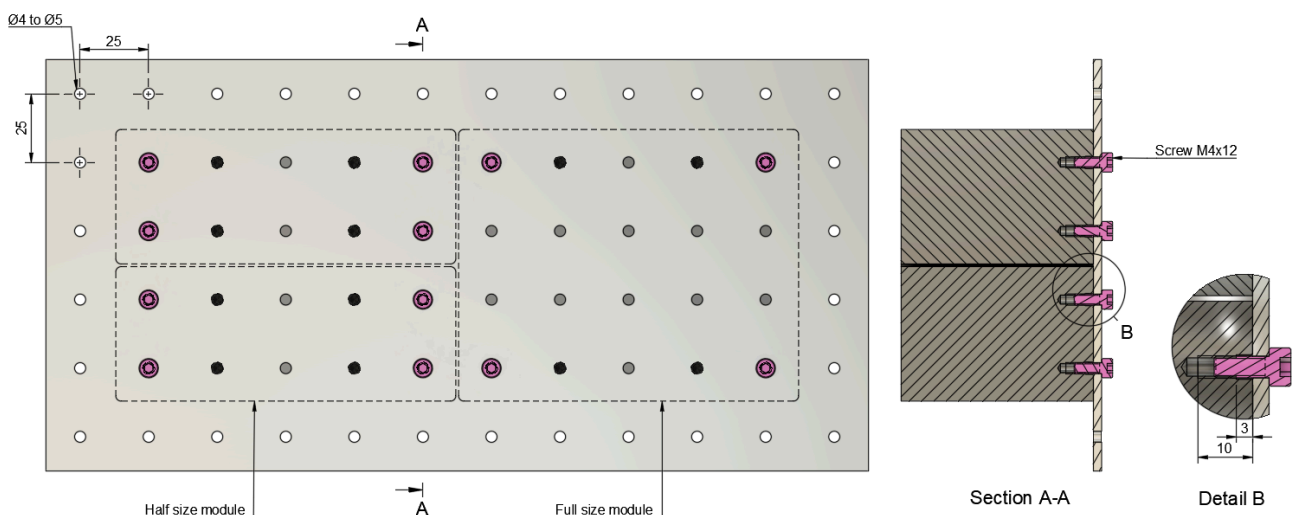


1	Power button with LED	Green LED - ON when device powered
2	Power supply	Jack 24V DC - 40W
3	Communication LED	Green LED - ON when communicating
4	Connection to OEM Control Center (or OEM Hub)	M12 male - 8 pins
5.x	12V / 24V line switch 5.1 : upper line 5.2 : lower line	5a : 12V red LED - ON when line on 12V
		5b : Switch
		5c : 24V red LED - ON when line on 24V
6.y	Valve connection channel #y 24V / 2 Watt (max)	6a : Terminal block - (Ground)
		6b : Terminal block + (24V)
		6c : Green LED - ON : tension between blocks

Assembly recommendations

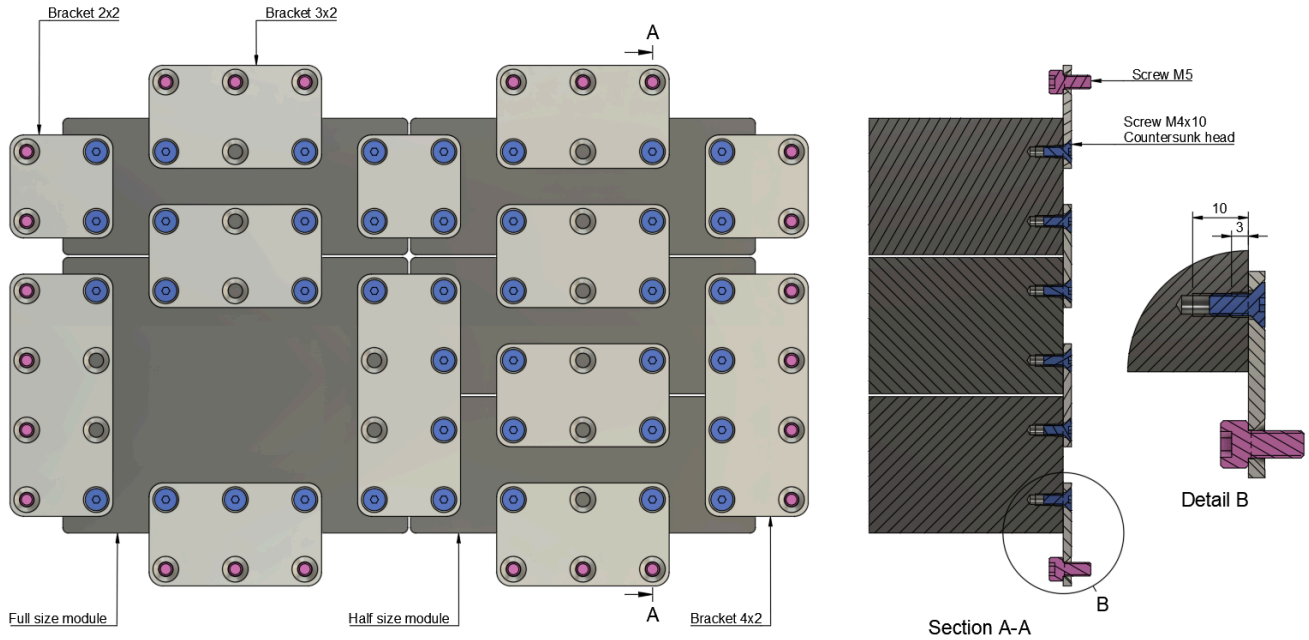
The module can be used in any orientation.

Assembly on standard perforated sheet metal



Assembly with brackets

Brackets are Elveflow custom parts that can be purchased with an OEM system to assemble the modules together.



Brackets Dimensional Drawing

