

OEM ROTA VALVE DATASHEET (DISTRIBUTION)



Elveflow OEM range 1 to 12 ports distribution valve module.

Table of content

General specifications.....	3
Electrical Specifications.....	3
Communication specifications.....	4
Control and monitoring.....	4
Dimensional drawing.....	5
Connections.....	5

General specifications

Dimensions (mm)	99 x 99 x 102 mm
Weight (g)	780 g
Control Center connection	M12 8 pins, (shielded cable 25 cm recommended)
Power connection	DC power connector, Plug, 3A, 2.1mm, 12mm
Valve type	12 positions / 13 ports rotative valve
Maximum supported pressure (bar)	7 bar
Fluidic connectors	Standard 1/4-28 UNF, flat-bottom
Wetted materials	PCTFE and PTFE
Dead volume (1)	None
Internal diameter (mm)	0.5 mm
Mounting orientation	Any

(1) Volume that is stuck in the system (dead end), which is not clearly swept and relies on diffusion to clear out

Electrical Specifications

Input voltage (V)	24V
Maximum power consumption (W)	45W
Typical power (W)	3 W, 12 W in rotation

Provided power supply specifications

Supply - Voltage range (V)	100 to 240 VAC
Supply - AC frequency (Hz)	50 to 60 Hz
Output - Maximum current output (A)	2.5A Peak
Output - Maximum power (W)	60W

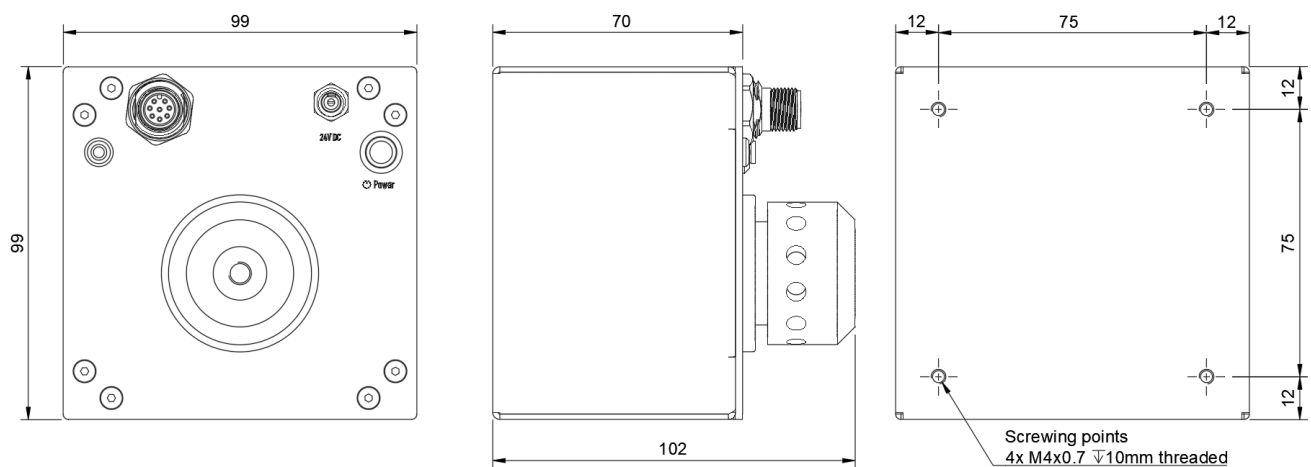
Communication specifications

Interface	M12 8 pins
Communication type	Universal Asynchronous Receiver-Transmitter (UART)
Serial communication parameters	230400 bauds

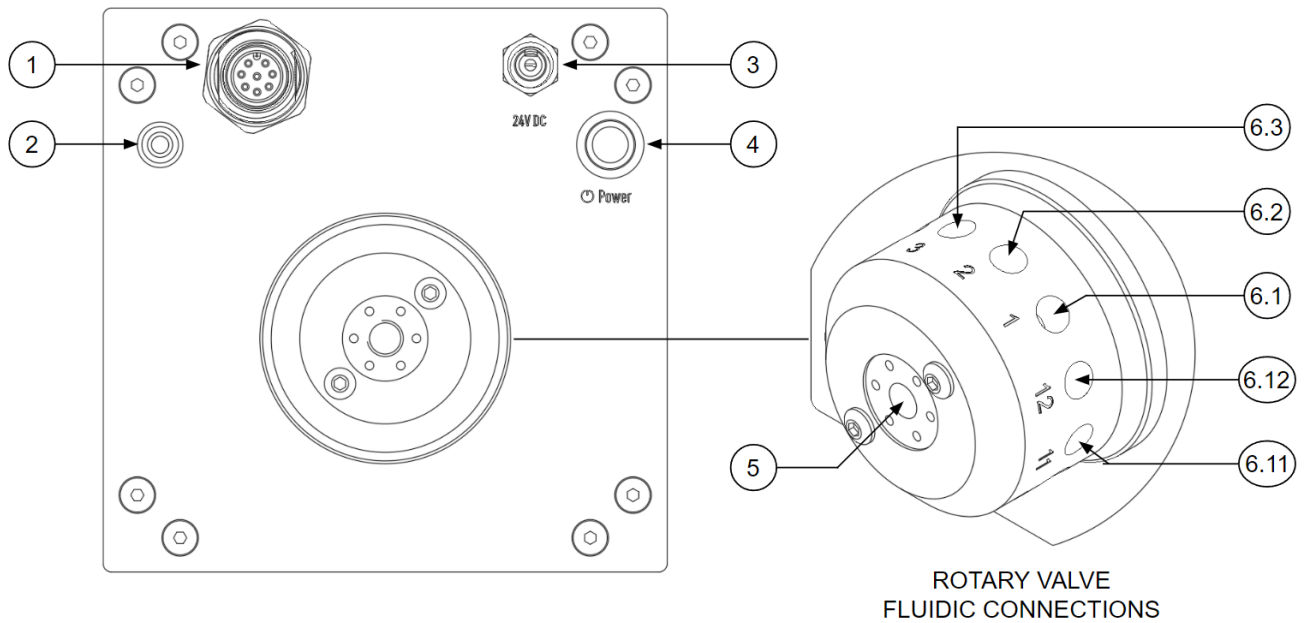
Control and monitoring

UART commands	Valve position & monitoring
Software control	ESI via a OEM Control Center only

Dimensional drawing



Connections



1	Connection to OEM Control Center (or OEM Hub)	M12 male - 8 pins
2	Communication LED	Green LED - ON when communicating
3	Power button with LED	Green LED - ON when device powered
4	Power supply	Jack 24V DC - 40W
5	Main fluidic port, connected to 1 among 12	1/4-28 UNF Flat bottom
6.x	12 fluidic ports	1/4-28 UNF Flat bottom

Assembly recommendations

Use the four M4 screwing points (see dimensional drawing).

The module can be used in any orientation.